

116 Class LED Beacon Explosionproof



The 116 Class LED Beacon is designed for use in explosionproof and hazardous location applications such as oil platforms, refineries, granaries and chemical plants. UL and cUL listed for use in Class 1, Division 1 and 2 applications, this beacon is designed for areas requiring high visibility and notification as well as low maintenance. The long life LEDs reduce maintenance requirements by up to 90% when compared to a xenon strobe tube. The LED light emits a 360-degree beam of light with 13 user selectable flash patterns in addition to a steady-on mode.

These beacons are UL and cUL listed for outdoor use as NEMA Type 3R, 4X, and Marine Rated enclosures. Mounting options are available (ordered separately) for ceiling, wall, pendant and stanchion mounts. The unit is supplied with a guard installed over the clear dome for additional protection against impact.

116 Class LED Beacon Features

- Five lens colors
- Steady-on and 13 other user selectable flash patterns
- Enclosures
 - Type 3R
 - Type 4X
 - Marine Rated
- Four mounting options: ceiling, wall, pendant or stanchion
- Three operating voltage ranges:
 - 24V AC/DC
 - 120-240V AC
 - 125-250V DC



116 Class LED Beacon

Description	Cat. No.	Operating Voltage	Current	LED/Lens Colors	Flash Rate
Explosionproof LED Light with user selectable flash patterns	116EXMLEDA-Y6	120-240V 50/60 Hz 125-250V DC	0.215A 0.176A	Amber	Adjustable See Flash Mode Selection
	116EXMLEDB-Y6	120-240V 50/60 Hz 125-250V DC	0.215A 0.176A	Blue	Adjustable See Flash Mode Selection
	116EXMLEDW-Y6	120-240V 50/60 Hz 125-250V DC	0.215A 0.176A	White (Clear)*	Adjustable See Flash Mode Selection
	116EXMLEDG-Y6	120-240V 50/60 Hz 125-250V DC	0.215A 0.176A	Green	Adjustable See Flash Mode Selection
	116EXMLEDR-Y6	120-240V 50/60 Hz 125-250V DC	0.215A 0.176A	Red	Adjustable See Flash Mode Selection
	116EXMLEDA-AQ	24V AC/DC	1.18AAC 0.79ADC	Amber	Adjustable See Flash Mode Selection
	116EXMLEDB-AQ	24V AC/DC	1.18AAC 0.79ADC	Blue	Adjustable See Flash Mode Selection
	116EXMLEDG-AQ	24V AC/DC	1.18AAC 0.79ADC	Green	Adjustable See Flash Mode Selection
	116EXMLEDR-AQ	24V AC/DC	1.18AAC 0.79ADC	Red	Adjustable See Flash Mode Selection
	116EXMLEDW-AQ	24V AC/DC	1.18AAC 0.79ADC	White	Adjustable See Flash Mode Selection

*For most LED beacons, the LED color and lens color are the same. White LEDs are used with a clear inner lens for the White model..

Accessories

Description	Cat. No.	Conduit Size
Wall Bracket Mounting Elbow	116EX-B*	N/A
Ceiling/Wall Mounting Module	116EX-C	3/4" NPT
Pendant Mounting Module	116EX-P	3/4" NPT
Stanchion Mounting Module	116EX-S	1 1/4" NPT

*Note: Wall mount requires both 116EX-B and 116EX-C.

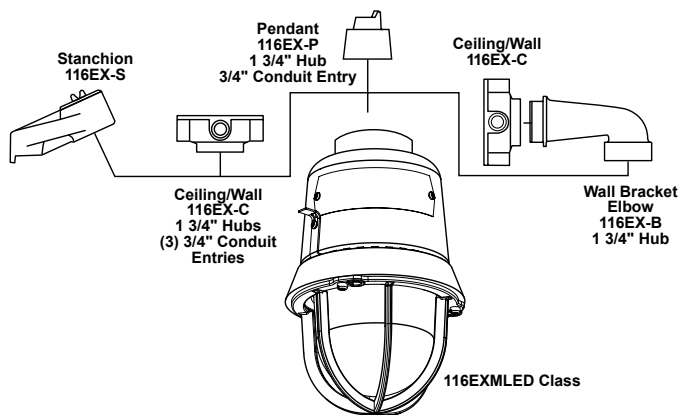
Hazardous Location Ratings

116 Class LED Beacon	Operating Temperature						
	Ambient Temp.	Supply Wire Temp. Marking	Class I, Div. 2 Groups A, B	Class I, Div. 1 & 2 Groups C, D	Class II, Div. 1 Groups E, F, G	Class II, Div. 2 Groups F, G	Class III, Div. 1 & 2
	40°C	75°C	T4 (135°C)	T6 (85°C)	T4A (120°C)	T4A (120°C)	T4A (120°C)
	55°C	90°C	T3C (160°C)	T6 (85°C)	T4 (135°C)	T4 (135°C)	T4 (135°C)
	65°C	105°C	T3C (160°C)	T6 (85°C)	T4 (135°C)	T4 (135°C)	T4 (135°C)

Flash Mode Selection

Pattern	Description	Switch S4	Switch S3	Switch S2	Switch S1
Steady-On	Steady	OFF	OFF	OFF	OFF
Multiburst 1	7 Bursts - Delay - Repeat	OFF	OFF	OFF	ON
Multiburst 2	5 Bursts - Delay - Repeat	OFF	OFF	ON	OFF
Multiburst 3	10 Bursts - 3 Bursts - Repeat	OFF	OFF	ON	ON
Multiburst 4	8 Bursts - delay w/slight illumination - Repeat	OFF	ON	OFF	OFF
Flash 1	65 FPM 10% Duty Cycle	OFF	ON	OFF	ON
Flash 2	65 FPM 25% Duty Cycle	OFF	ON	ON	OFF
Flash 3	65 FPM 50% Duty Cycle	OFF	ON	ON	ON
Flash 4	65 FPM 75% Duty Cycle	ON	OFF	OFF	OFF
Flash 5	80 FPM 10% Duty Cycle	ON	OFF	OFF	ON
Flash 6	80 FPM 25% Duty Cycle	ON	OFF	ON	OFF
Flash 7	80 FPM 50% Duty Cycle	ON	OFF	ON	ON
Flash 8	80 FPM 75% Duty Cycle	ON	ON	OFF	OFF
Ramper	Ramps up and then ramps down	ON	ON	OFF	ON

Family Tree



NOTE: 116EX-C must be used when application requires 116EX-B

Dimensional Drawings

